

HarmonicDrive®

Flat and Hollow Shaft Design AC Servo Actuator SHA Series High Accuracy SHA-CG Type with Stand (option)

Additional Variation of SHA-CG type with Vertical Stand (option)

SHA-CG type for which the accuracy of the output shaft surface runout has been remarkably improved is now available with a stand (option).

Easy installation has been realized without any unnecessary work on your machine in the same manner as direct drive motors.

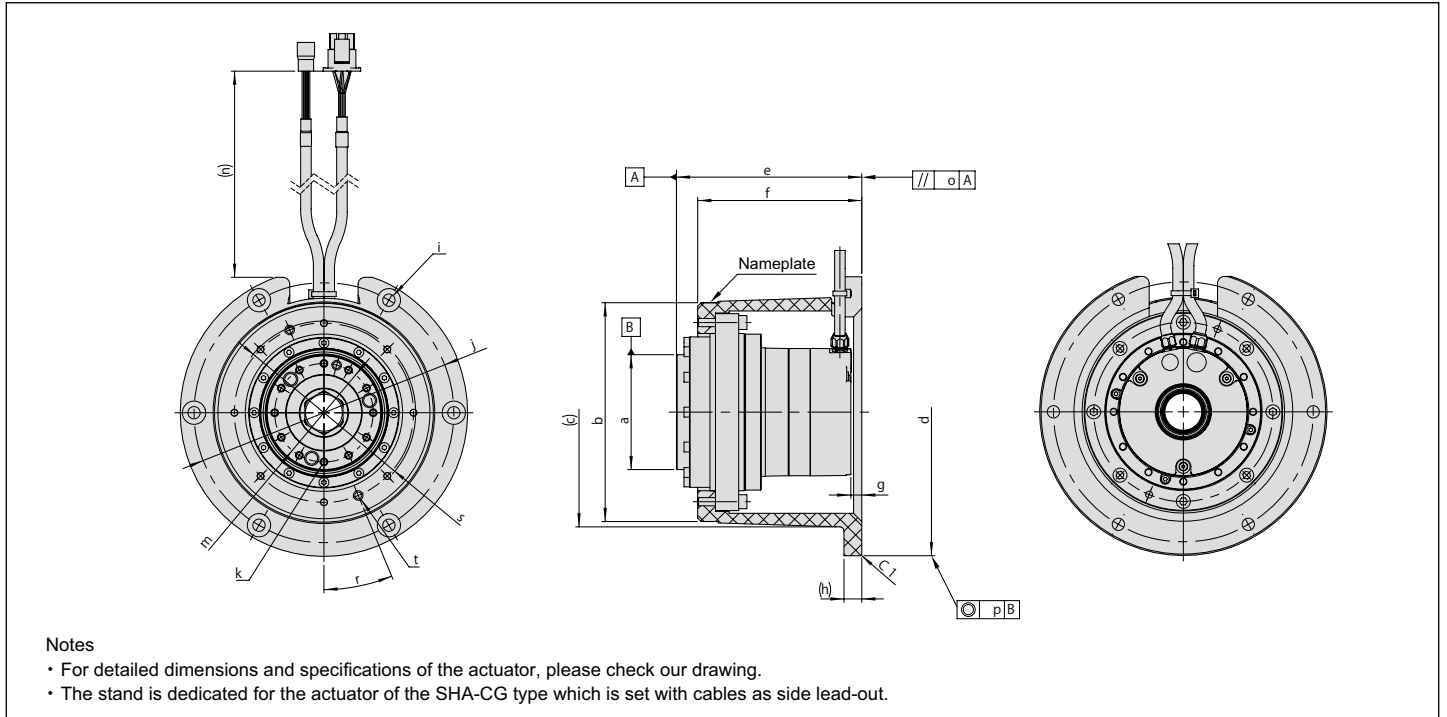
SHA-CG type provides in an easy-to-use solution for the table swivel drive and alignment adjusting functions, which require mechanical accuracy.



Features

- There is no need to design and produce a mounting flange because SHA-CG type with stand can be directly installed on the base of your device.
- It can also be installed on the ceiling (output shaft facing downward) and on the wall (output shaft facing sideway).
- Installation accuracy is secured by selling the actuator with stand as a set (single stand cannot be sold separately).

■ Outline drawing of actuator with stand



■ Drawing measurement of actuator with stand

Item	Unit	SHA20	SHA25	SHA32	SHA40
a	mm	φ69 h7 0/-0.030	φ84 h7 0/-0.035	φ110 h7 0/-0.035	φ132 h7 0/-0.040
b	mm	φ135	φ160	φ198	φ248
c	mm	φ143	φ168	φ208	φ258
d	mm	φ177 h7 0/-0.040	φ210 h7 0/-0.046	φ260 h7 0/-0.052	φ316 h7 0/-0.057
e	mm	133±0.3	135.5±0.3	152±0.3	180±0.3
f	mm	118	120	133	163
g	mm	7.5	8	8	10
h	mm	11	13	13	20
i	mm	6-φ6.6 Counter-bore φ13 depth 1	6-φ9 Counter-bore φ17 depth 1	6-φ11 Counter-bore φ21 depth 1	6-φ13 Counter-bore φ25 depth 1
j	mm	φ161	φ190	φ234	φ288
k	-	12-M4×7	12-M5×8	12-M6×10	12-M8×12
m	mm	φ60	φ72	φ96	φ116
n	mm	170	160	150	130
O Note 1)	mm	0.050	0.055	0.060	0.070
p Note 1)	mm	φ0.080	φ0.080	φ0.090	φ0.100
r	°	60	22.5	45	90
s	mm	φ107	φ131	φ162	φ203
t	-	2-M6 depth 11	2-M8 depth 13	2-M8 depth 15	2-M12 depth 23
Mass Note 2)	kg	4.4 (4.5)	6.1 (6.2)	11.6 (11.9)	20 (21)
Bolt used on part i Note 3)	-	6-M6	6-M8	6-M10	6-M12
Recommended tightening torque on part i	Nm	11	26	52	90

Note 1) Values are based on the Total Indicator Reading (T.I.R.).

Note 2) Values in parentheses () show those with brake.

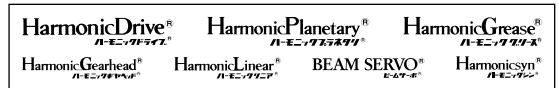
Note 3) Use a plain washer when installing the product.

- For detailed dimensions and specifications of the actuator, please check our drawing.
- The stand is made of cast aluminum. No special surface treatment is applied.
- The stand cannot be sold separately.
- The SHA-CG type with stand cannot be used in combination with the origin and end limit sensors (option).
- The actuator is set with cables as side lead-out.

* Please contact the sales office of Harmonic Drive Systems Inc. for more information.

	Head Office:	Ichigo Omori Building 7F, 6-25-3 Minami-Oi, Shinagawa-ku, Tokyo 140-0013 JAPAN Phone: +81-3-5471-7800 / FAX: +81-3-5471-7811 1856-1 Hotakamaki, Azumino-shi, Nagano 399-8305 JAPAN Phone: +81-263-83-6935 / FAX: +81-263-83-6901	Kansai Office:	Shin-Osaka Ueno Toyo Building 3F, 7-4-17 Nishi-nakajima, Yodogawa-ku, Osaka-shi, Osaka 532-0011 JAPAN Phone: +81-6-6885-5720 / FAX: +81-6-6885-5725
	Overseas Division:	Ichigo Omori Building 2F, 6-25-3 Minami-Oi, Shinagawa-ku, Tokyo 140-0013 JAPAN Phone: +81-3-5471-7830 / FAX: +81-3-5471-7836	Kyushu Office:	NMF Hakata-ekimae Building 7F, 1-15-20 Hakata-ekimae, Hakata-ku, Fukuoka-shi, Fukuoka 812-0011 JAPAN Phone: +81-92-451-7208 / FAX: +81-92-481-2493
	Tokyo Office:	Ichigo Omori Building 2F, 6-25-3 Minami-Oi, Shinagawa-ku, Tokyo 140-0013 JAPAN Phone: +81-3-5471-7830 / FAX: +81-3-5471-7836	Hotaka Plant:	1856-1 Hotakamaki, Azumino-shi, Nagano 399-8305 JAPAN Phone: +81-263-83-6800 / FAX: +81-263-83-6901
	Kitakanto Office:	Ichigo Omori Building 2F, 6-25-3 Minami-Oi, Shinagawa-ku, Tokyo 140-0013 JAPAN Phone: +81-48-647-8891 / FAX: +81-48-647-8893	Harmonic Drive AG:	Hoenbergstrasse 14 D-65555 Limburg a.d. Lahn GERMANY Phone: +49-6431-5008-0 / FAX: +49-6431-5008-119
	Koshin Office:	1856-1 Hotakamaki, Azumino-shi, Nagano 399-8305 JAPAN Phone: +81-263-83-6910 / FAX: +81-263-83-6911	Harmonic Drive LLC:	247 Lynnfield Street, Peabody, MA 01960 U.S.A. Phone: +1-978-532-1800 / FAX: +1-978-532-9406
Chubu Office:	Nagoya Inter Building 6F, 2-173-4 Hongo, Meito-ku, Nagoya-shi, Aichi 465-0024 JAPAN Phone: +81-52-773-7451 / FAX: +81-52-773-7462	Harmonic Drive Systems (Shanghai) Co., Ltd.:	Rm206, 1# No.641, Tianshan Rd, Changning District, Shanghai, 200336, CHINA Phone: +86-21-6237-5656 / FAX: +86-21-3250-7268	

"HarmonicDrive" is a trademark of Harmonic Drive Systems Inc.
The academic or general nomenclature of our products "HarmonicDrive" is "strain wave gearing."
The trademark is registered in Japan, Korea and Taiwan.



Registered Trademark in Japan