

HarmonicDrive®

Flat Shape and Hollow Shaft Design

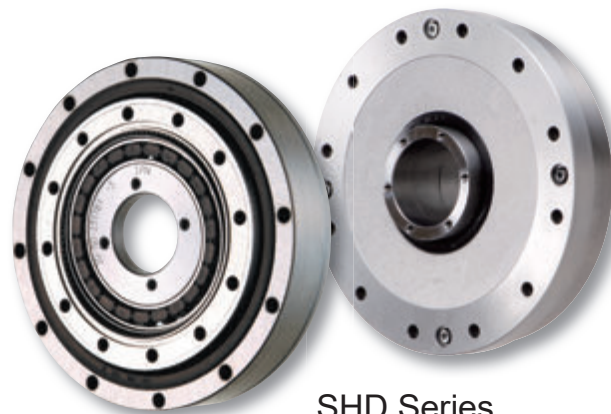
CSD Series/SHD Series

Ratio 1/80 and 1/120 has been added for lineup

CSD Series



SHD Series



The speed reduction ratio 1/80 and 1/120 has been added to the HarmonicDrive® CSD series and SHD series that have flat shapes and hollow shaft designs, and the product lineup has been enhanced.

Please select the optimum speed reduction ratio for the machine device designs.

Rating Table

CSD-2A (Component type)

 = Additional speed ratio

Size	Gear ratio	Rated torque at input speed 2000r/min		Limit for repeated peak torque		Limit for average torque		Limit for momentary peak torque		Maximum input speed (r/min)		Limit for average input speed (r/min)		Moment of inertia	
		Nm	kgfm	Nm	kgfm	Nm	kgfm	Nm	kgfm	Oil lubricant	Grease lubricant	Oil lubricant	Grease lubricant	I x 10 ⁻⁴ kgm ²	J x 10 ⁻⁵ kgfms ²
14	50	3.7	0.38	12	1.2	4.8	0.49	24	2.4	14000	8500	6500	3500	0.021	0.021
	80	5.4	0.55	16	1.6	7.7	0.79	31	3.2						
	100	5.4	0.55	19	1.9	7.7	0.79	31	3.2						
17	50	11	1.1	23	2.3	18	1.8	48	4.9	10000	7300	6500	3500	0.054	0.055
	80	15	1.5	29	3.0	19	1.9	55	5.6						
	100	16	1.6	37	3.8	27	2.8	55	5.6						
	120	16	1.6	37	3.8	27	2.8	55	5.6						
20	50	17	1.7	39	4.0	24	2.4	69	7.0	10000	6500	6500	3500	0.090	0.092
	80	24	2.4	51	5.2	33	3.4	76 (65)	7.7 (6.6)						
	100	28	2.9	57	5.8	34	3.5	76 (65)	7.7 (6.6)						
	120	28	2.9	60	6.1	34	3.5	76 (65)	7.7 (6.6)						
	160	28	2.9	64	6.5	34	3.5	76 (65)	7.7 (6.6)						
25	50	27	2.8	69	7.0	38	3.9	127	13	7500	5600	5600	3500	0.282	0.288
	80	44	4.5	96	9.8	60	6.1	152 (135)	15 (14)						
	100	47	4.8	110	11	75	7.6	152 (135)	15 (14)						
	120	47	4.8	117	12	75	7.6	152 (135)	15 (14)						
	160	47	4.8	123	13	75	7.6	152 (135)	15 (14)						
32	50	53	5.4	151	15	75	7.6	268	27	7000	4800	4600	3500	1.09	1.11
	80	83	8.5	213	22	117	12	359 (331)	37 (34)						
	100	96	9.8	233	24	151	15	359 (331)	37 (34)						
	120	96	9.8	247	25	151	15	359 (331)	37 (34)						
	160	96	9.8	261	27	151	15	359 (331)	37 (34)						
40	50	96	9.8	281	29	137	14	480	49	5600	4000	3600	3000	2.85	2.91
	80	144	15	364	37	198	20	685 (580)	70 (59)						
	100	185	19	398	41	260	27	694 (580)	71 (59)						
	120	205	21	432	44	315	32	694 (580)	71 (59)						
	160	206	21	453	46	316	32	694 (580)	71 (59)						
50	50	172	18	500	51	247	25	1000	102	4500	3500	3000	2500	8.61	8.78
	80	260	27	659	67	363	37	1300	133						
	100	329	34	686	70	466	48	1440 (1315)	147 (134)						
	120	370	38	756	77	569	58	1441	147 (134)						
	160	370	38	823	84	590	60	1577 (1315)	161 (134)						

Note) The parenthesized value indicates the value when the bore of the flexspline has the maximum value (BB type).

CSD-2UH (Unit type)

 = Additional speed ratio

Size	Gear ratio	Rated torque at input speed 2000r/min		Limit for repeated peak torque		Limit for average torque		Limit for momentary peak torque		Maximum input speed (r/min)	Limit for average input speed (r/min)	Moment of inertia	
		Nm	kgfm	Nm	kgfm	Nm	kgfm	Nm	kgfm	Grease lubricant	Grease lubricant	I x 10 ⁻⁴ kgm ²	J x 10 ⁻⁵ kgfms ²
14	50	3.7	0.38	12	1.2	4.8	0.49	24	2.4	8500	3500	0.021	0.021
	80	5.4	0.55	16	1.6	7.7	0.79	35	3.6				
	100	5.4	0.55	19	1.9	7.7	0.79	35	3.6				
17	50	11	1.1	23	2.3	18	1.8	48	4.9	7300	3500	0.054	0.055
	80	15	1.5	29	3.0	19	1.9	61	6.2				
	100	16	1.6	37	3.8	27	2.8	71	7.2				
	120	16	1.6	37	3.8	27	2.8	71	7.2				
20	50	17	1.7	39	4.0	24	2.4	69	7.0	6500	3500	0.090	0.092
	80	24	2.4	51	5.2	33	3.4	89	9.1				
	100	28	2.9	57	5.8	34	3.5	95	9.7				
	120	28	2.9	60	6.1	34	3.5	95	9.7				
	160	28	2.9	64	6.5	34	3.5	95	9.7				
25	50	27	2.8	69	7.0	38	3.9	127	13	5600	3500	0.282	0.288
	80	44	4.5	96	9.8	60	6.1	179	18				
	100	47	4.8	110	11	75	7.6	184	19				
	120	47	4.8	117	12	75	7.6	204	21				
	160	47	4.8	123	13	75	7.6	204	21				
32	50	53	5.4	151	15	75	7.6	268	27	4800	3500	1.09	1.11
	80	83	8.5	213	22	117	12	398	41				
	100	96	9.8	233	24	151	15	420	43				
	120	96	9.8	247	25	151	15	445	45				
	160	96	9.8	261	27	151	15	445	45				
40	50	96	9.8	281	29	137	14	480	49	4000	3000	2.85	2.91
	80	144	15	364	37	198	20	686	70				
	100	185	19	398	41	260	27	700	71				
	120	205	21	432	44	315	32	765	78				
	160	206	21	453	46	316	32	765	78				
50	50	172	18	500	51	247	25	1000	102	3500	2500	8.61	8.78
	80	260	27	659	67	363	37	1300	133				
	100	329	34	686	70	466	48	1440	147				
	120	370	38	756	77	569	58	1565	160				
	160	370	38	823	84	590	60	1715	175				

CSD-2UF (Hollow shaft design/Unit type)

= Additional speed ratio

Size	Gear ratio	Rated torque at input speed 2000r/min		Limit for repeated peak torque		Limit for average torque		Limit for momentary peak torque		Maximum input speed (r/min)	Limit for average input speed (r/min)	Moment of inertia	
		Nm	kgfm	Nm	kgfm	Nm	kgfm	Nm	kgfm	Grease lubricant	Grease lubricant	I x 10 ⁻⁴ kgm ²	J x 10 ⁻⁹ kgfms ²
14	50	3.7	0.38	12	1.2	4.8	0.49	24	2.4	8500	3500	0.021	0.021
	80	5.4	0.55	16	1.6	7.7	0.79	35	3.6				
	100	5.4	0.55	19	1.9	7.7	0.79	35	3.6				
17	50	11	1.1	23	2.3	18	1.8	48	4.9	7300	3500	0.054	0.055
	80	15	1.5	29	3.0	19	1.9	61	6.2				
	100	16	1.6	37	3.8	27	2.8	71	7.2				
	120	16	1.6	37	3.8	27	2.8	71	7.2				
20	50	17	1.7	39	4.0	24	2.4	69	7.0	6500	3500	0.090	0.092
	80	24	2.4	51	5.2	33	3.4	89	9.1				
	100	28	2.9	57	5.8	34	3.5	95	9.7				
	120	28	2.9	60	6.1	34	3.5	95	9.7				
25	50	27	2.8	69	7.0	38	3.9	127	13	5600	3500	0.282	0.288
	80	44	4.5	96	9.8	60	6.1	179	18				
	100	47	4.8	110	11	75	7.6	184	19				
	120	47	4.8	117	12	75	7.6	204	21				
32	50	53	5.4	151	15	75	7.6	268	27	4800	3500	1.09	1.11
	80	83	8.5	213	22	117	12	398	41				
	100	96	9.8	233	24	151	15	420	43				
	120	96	9.8	247	25	151	15	445	45				
40	50	96	9.8	281	29	137	14	480	49	4000	3000	2.85	2.91
	80	144	15	364	37	198	20	686	70				
	100	185	19	398	41	260	27	700	71				
	120	205	21	432	44	315	32	765	78				
	160	206	21	453	46	316	32	765	78				

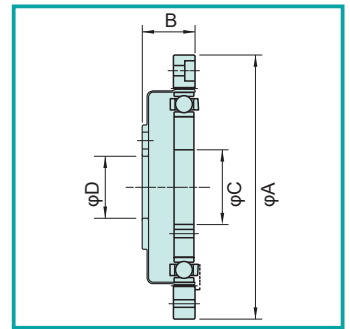
SHD-2SH/SHD-2UH-LW (Unit type)

= Additional speed ratio

Size	Gear ratio	Rated torque at input speed 2000r/min		Limit for repeated peak torque		Limit for average torque		Limit for momentary peak torque		Maximum input speed (r/min)	Limit for average input speed (r/min)	Moment of inertia (2SH/Simple unit type)		Moment of inertia (2UH/Unit type)	
		Nm	kgfm	Nm	kgfm	Nm	kgfm	Nm	kgfm	Grease lubricant	Grease lubricant	I x 10 ⁻⁴ kgm ²	J x 10 ⁻⁹ kgfms ²	I x 10 ⁻⁴ kgm ²	J x 10 ⁻⁹ kgfms ²
14	50	3.7	0.38	12	1.2	4.8	0.49	23	2.3	8500	3500	0.021	0.021	0.064	0.065
	80	5.4	0.55	16	1.6	7.7	0.79	35	3.6						
	100	5.4	0.55	19	1.9	7.7	0.79	35	3.6						
17	50	11	1.1	23	2.3	18	1.8	48	4.9	7300	3500	0.054	0.055	0.141	0.144
	80	15	1.5	29	3.0	19	1.9	61	6.2						
	100	16	1.6	37	3.8	27	2.8	71	7.2						
	120	16	1.6	37	3.8	27	2.8	71	7.2						
20	50	17	1.7	39	4.0	24	2.4	69	7.0	6500	3500	0.090	0.092	0.271	0.276
	80	24	2.4	51	5.2	33	3.4	89	9.1						
	100	28	2.9	57	5.8	34	3.5	95	9.7						
	120	28	2.9	60	6.1	34	3.5	95	9.7						
25	50	27	2.8	69	7.0	38	3.9	127	13	5600	3500	0.282	0.288	0.793	0.809
	80	44	4.5	96	9.8	60	6.1	179	18						
	100	47	4.8	110	11	75	7.6	184	19						
	120	47	4.8	117	12	75	7.6	204	21						
32	50	53	5.4	151	15	75	7.6	268	27	4800	3500	1.09	1.11	2.900	2.957
	80	83	8.5	213	22	117	12	398	41						
	100	96	9.8	233	24	151	15	420	43						
	120	96	9.8	247	25	151	15	445	45						
40	50	96	9.8	281	29	137	14	480	49	4000	3000	2.85	2.91	7.432	7.578
	80	144	15	364	37	198	20	686	70						
	100	185	19	398	41	260	27	700	71						
	120	205	21	432	44	315	32	765	78						
	160	206	21	453	46	316	32	765	78						

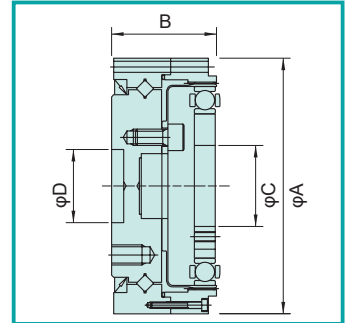
CSD-2A Outline dimensions

Symbol	Size	14	17	20	25	32	40	50
ϕA h7		50	60	70	85	110	135	170
B		11	12.5	14	17	22	27	33
ϕC H7		11	15	20	24	32	40	50
ϕD H6	Standard	11	11	16	20	30	32	44
	BB specifications	11	11	20	24	32	40	50



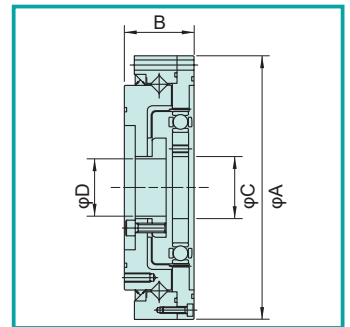
CSD-2UH Outline dimensions

Symbol	Size	14	17	20	25	32	40	50
ϕA h7		55	62	70	85	112	126	157
B		25	26.5	29.7	37.1	43	51.7	62.5
ϕC H7		11	15	20	24	32	40	50
ϕD H7		12	14	18	24	32	36	48



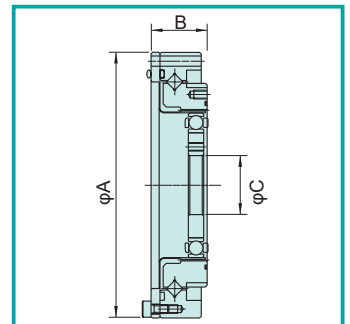
CSD-2UF Outline dimensions

Symbol	Size	14	17	20	25	32	40
ϕA h7		70	80	90	110	142	170
B		22	22.7	26.8	31.5	37	45
ϕC H7		11	15	20	24	32	40
ϕD		9	9	18	22	29	37



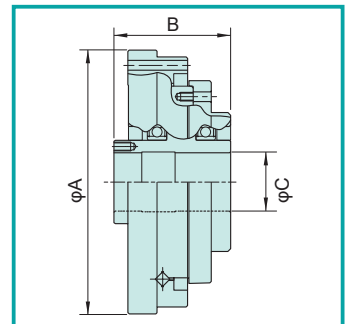
SHD-2SH Outline dimensions

Symbol	Size	14	17	20	25	32	40
ϕA h7		70	80	90	110	142	170
B		17.5	18.5	19	22	27.9	33
ϕC H7		11	15	20	24	32	40



SHD-2UH Outline dimensions

Symbol	Size	14	17	20	25	32	40
ϕA h7		74	84	95	115	147	175
B		45.5	48	42	46.5	55	65
ϕC H7		14	19	21	29	41	51



* Please contact our sales department with any questions.

	Head Office:	Ichigo Omori Building 7F, 6-25-3 Minami-Oi, Shinagawa-ku, Tokyo 140-0013 JAPAN Phone: +81-3-5471-7800 / FAX: +81-3-5471-7811	Kansai Office:	Shin-Osaka Ueno Toyo Building 3F, 7-4-17 Nishi-nakajima, Yodogawa-ku, Osaka-shi, Osaka 532-0011 JAPAN Phone: +81-6-6885-5720 / FAX: +81-6-6885-5725
	Overseas Division:	1856-1 Hotakamaki, Azumino-shi, Nagano 399-8305 JAPAN Phone: +81-263-83-6935 / FAX: +81-263-83-6901	Kyushu Office:	NMF Hakata-ekimae Building 7F, 1-15-20 Hakata-ekimae, Hakata-ku, Fukuoka-shi, Fukuoka 812-0011 JAPAN Phone: +81-92-451-7208 / FAX: +81-92-481-2493
	Tokyo Office:	Ichigo Omori Building 2F, 6-25-3 Minami-Oi, Shinagawa-ku, Tokyo 140-0013 JAPAN Phone: +81-3-5471-7830 / FAX: +81-3-5471-7836	Hotaka Plant:	1856-1 Hotakamaki, Azumino-shi, Nagano 399-8305 JAPAN Phone: +81-263-83-6800 / FAX: +81-263-83-6901
	Kitakanto Office:	Ichigo Omori Building 2F, 6-25-3 Minami-Oi, Shinagawa-ku, Tokyo 140-0013 JAPAN Phone: +81-3-6410-8485 / FAX: +81-3-6410-8486	Harmonic Drive AG:	Hoenbergstrasse 14 D-65555 Limburg a.d. Lahn GERMANY Phone: +49-6431-5008-0 / FAX: +49-6431-5008-119
	Koshin Office:	1856-1 Hotakamaki, Azumino-shi, Nagano 399-8305 JAPAN Phone: +81-263-83-6910 / FAX: +81-263-83-6911	Harmonic Drive L.L.C.:	247 Lynnfield Street, Peabody, MA 01960 U.S.A. Phone: +1-978-532-1800 / FAX: +1-978-532-9406
	Chubu Office:	Nagoya Inter Building 6F, 2-173-4 Hongo, Meito-ku, Nagoya-shi, Aichi 465-0024 JAPAN Phone: +81-52-773-7451 / FAX: +81-52-773-7462	Harmonic Drive Systems (Shanghai) Co., Ltd.:	Rm206, 1# No.641, Tianshan Rd, Changning District Shanghai, 200336, CHINA Phone: +86-21-6237-5656 / FAX: +86-21-3250-7268

"HarmonicDrive" is a trademark of Harmonic Drive Systems Inc.
The academic or generic term of our "HarmonicDrive" products is "strain wave gearing."
Harmonic Drive™ trademark is registered in Japan, Korea and Taiwan.



Registered Trademark in Japan